

## ARCHITECT PV SKID

The Architect Series PV Skid from Hakari combines rugged and high-end performance with an aesthetically pleasing look. It is ideal for monitoring and metrology applications that require continuous and stable power and reliable 24/7 operation. Designed for temporary or permanent use, the skid can be deployed quickly for a wide range of applications. The angle of the monocrystalline panel can be easily adjusted with clevis pins to ensure optimum capture of solar energy. An extreme weather rating and integrated forklift support means that not only can it sustain harsh environments, it can be easily moved around. The included communication tray, batteries, and fully wired MPPT charge controller ensure that it is ready to go for your next project. The decision is easy.



### GENERAL

#### Frame

Formed and welded 0.25" 5052 aluminum frame construction. Adjustable width panel mounting rails (34" to 50") with continuous slots to accommodate multiple widths. PVC bushings on all articulating points. All fasteners stainless steel.

#### Box

Formed and welded 0.125" 5052 aluminum box with red powder coat finish, continuous stainless steel piano hinge

#### Tray

Formed aluminum construction 16" x 15.25" (40.64 cm x 38.74 cm)

#### Transport

Forklift receptacles

#### Tilt

Clevis pin adjustable panel tilt 11.5 to 87.5 degrees

#### Weight

150 pounds (with batteries 236 lb)

#### Size

Footprint 66" x 47.5" (fits in full size truck bed)

#### Mounting

Anchor bolts

### POWER

#### Panel

385 watt monocrystalline panel certified for high snow loads (5400 Pa) and wind loads (4000 Pa)

#### Current

10.59 amps

#### Controller

Morningstar SS-MPPT-15L

#### Batteries

Deka 99 amp hour batteries (3 included, optional 4 battery configuration)

#### Voltage

Open circuit voltage = 42.62 VDC

#### Tray voltage

12 VDC, 24 VDC, or 48 VDC

#### Power

385 watts

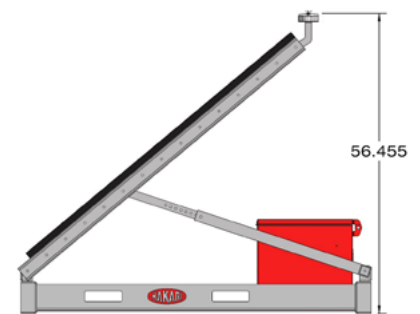
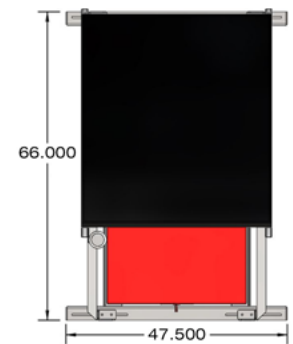
### COMMUNICATIONS

#### Tray

Suspended tray for communication gear, with included DIN mount system.

#### Telemetry

Optional Hakari MultiCom box hardware integrated into tray. Selections include cellular gateway, radio, Wi-Fi, private LTE.



#### Support for

Geotechnical sensors, environmental measurements, robotic control, IP cameras, SCADA web relays, and metrology instruments.

#### Antenna

Optional cellular gateway antenna mount